

一、应用范围 Applications

广泛应用于航天、船舶重工、石油化工、工业炉窑、锅炉、给排水、采暖空调、消防设备、干燥设备、食品医疗设备、清洗设备、景观灌溉、喷泉、水厂等管道系统中。

It is widely used in aerospace, shipbuilding Heavy Industry, petrochemical, industrial furnaces, boilers, plumbing, heating and air conditioning, fire-fighting equipment, drying equipment, Food medical equipment, cleaning equipment, landscape irrigation, fountains, water and other piping systems

二、产品特点 Features

- ☆ 不锈钢活塞式，动作灵敏，寿命长达 100 万次；专制线圈不易烧毁；阀安装方向无限制；适用范围广
- ☆ Stainless steel piston, movement sensitive, life is 100 million times; autocratic coil easily burned; valve installed on the direction of unrestricted; for a wide range of

三、工作原理 Work

- ☆ 常闭型：线圈通电时，主阀芯靠介质压差力打开；线圈断电，阀关闭。
- ☆ 常开型：线圈通电时，阀关闭；线圈断电，主阀芯靠介质压差力打开。
- ☆ **Normally closed type:** coil power, the main valve to open by medium pressure force; coil power, valve closed
- ☆ **Normally open type:** coil power, the valve closed; coil power, pressure forces the main valve opens by media

备注：当出口端压力大于进口端压力，介质回反向导通。

可安装止回阀或订制带止回功能的阀。

When the exit pressure is greater than the inlet pressure, medium Back to pass against the wizard.

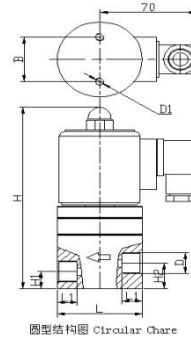
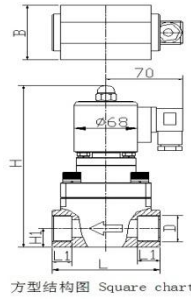
Check valve can be installed or ordered with non-return valve function

四、圆型、方型结构图及规格尺寸

Round, Square and specifications of size chart

圆型、方型规格尺寸 Round, Square size

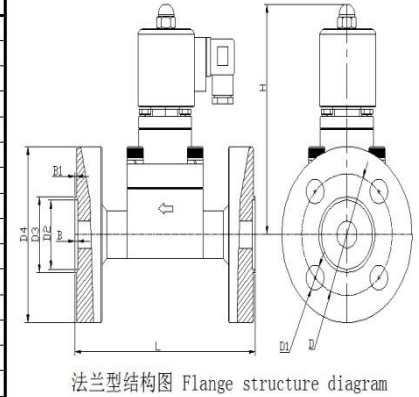
方型 Square							圆型 Round									
DN	D	L (mm)	L1 (mm)	H (mm)	H1 (mm)	B (mm)	DN	D	L (mm)	L1 (mm)	H (mm)	H1 (mm)	H2 (mm)	B (mm)	D1 (mm)	
10	G3/8	70	15	155	14	40	3 4 5 6 8 10	G1/8 G1/4 G3/8 NPT1/8 NPT1/4 NPT3/8 M10x1 M12x1 M14x1.5 M16x1.5	φ48	12	160	14	20	35	2-M6	
15	G1/2	80	14	185	18	53			φ53	14	160	14	20	35	2-M6	
15A	G1/2	95	20	220	22	68			φ58	14	175	14	20	35	2-M6	
20	G3/4	95	20	220	22	68			φ68	15	180	20	28	50	2-M8	
20A	G3/4	95	17	190	21	62			φ78	19	280	24	34	56	2-M10	
25	G1	95	17	190	21	62										
25A	G1	114	19	200	25	67										
32	G1 1/4	114	19	200	25	67										
32A	G1 1/4	127	22	215	30	78										
40	M52×2	127	22	215	30	78										
40A	M52×2	180	25	270	38	104										
50	M68×2	180	25	270	38	104										



法兰型规格尺寸

Flange type Size

法兰型 Flange type									
DN	PN	L (mm)	D (mm)	D1 (mm)	D2 (mm)	D3 (mm)	D4 (mm)	B (mm)	B1 (mm)
15	16	160	75	4-φ14	40	46	105	3	2
	26	160	82.5	4-φ22	36.5	46	120	5	2
20	11	195	82.5	4-φ18	44.5	54	120	5	2
	16	195	90	4-φ18	51	56	130	4	2
	26	195	89	4-φ22	44.5	54	130	5	2
25	11	210	89	4-φ18	52.5	62	125	5	2
	16	210	100	4-φ18	58	65	140	3	2
	26	210	101.5	4-φ26	52.5	62	150	5	2
32	11	230	98.5	4-φ18	65	73	135	5	2
	16	230	110	4-φ22	66	76	155	3	2
	26	230	111	4-φ26	65	73	160	5	2
40	11	240	114.5	4-φ22	74.5	84	155	5	2
	16	240	125	4-φ22	76	84	170	3	2
	26	240	124	4-φ29.5	74.5	84	180	5	2
50	11	280	127	8-φ18	93.5	103	155	5	2
	16	280	145	4-φ26	88	99	195	3	2
	26	280	165	8-φ26	93.5	103	215	5	2



五、主要技术参数 Main technical parameters

☆ 产品型号 Product Type:

☆ 动作方式：直动式□、分步直动式□、先导式□。

☆ Action by: direct-acting type □, direct-action step □, Pilot □.

☆ 阀体材质：铸钢体□、不锈钢□。（铸钢体不能用在腐蚀流体上）

☆ Body material: cast steel body □, stainless steel □. (Steel body can not be used in corrosive fluid on)

☆ 控制方式：常开□、常闭□、自保式□。

☆ Control mode: Normally open □, NC □, self-protection type □.

☆ 适用介质：水□、液氨□、油□、蒸汽□、燃气□、腐蚀流体□

☆ Suitable medium: water □, gas □, oil □, steam □, gas □, corrosive fluid □

☆ 工作温度 Operating temperature:

-200℃~0℃□。 -60℃~+100℃□。 -20℃~+80℃□。 -20℃~+150℃ □。 0℃~+200℃□。 0℃~+350℃□。

☆ 防护性能：防水□、防爆 (Exd I ICT5) □、防腐□。

☆ Protection performance: waterproof □, explosion-proof (Exd I ICT5) □, anti-corrosion □

☆ 工作电压 Operating Voltage:

DC12V□、DC24V□、DC36V□、DC110V□、DC127V□、DC220V□; AC36V□、AC110V□、AC220V□、AC380V

☆ 接线方式：接线座式□、引线式□、插座式□。

☆ Wiring: Wiring Block type □, lead type □, socket □

☆ 附加功能：带信号反馈□、带手动控制□、带止回功能□

☆ Additional features: with signal feedback □, with manual control □, with a return function □

六、安装与维护 Installation and maintenance

- ☆安装前应仔细核对阀标牌数据是否符合现场要求，如电压、温度、介质、压力等。
- ☆电磁阀现场安装必须按照国家爆炸危险场所“电气安全规程”中有关规定进行。
- ☆电磁阀线圈必须牢固可靠。线圈有三孔插头，其中上为接地线，左右孔接工作导线。
- ☆电磁阀安装前应将管路内部清洗干净。
- ☆如果流通的介质中有杂质，电磁阀进口端前必须安装密度 0.5 μm 的过滤网。
- ☆安装电磁阀时注意阀体上箭头要求与介质流向一致。
- ☆电磁阀水平安装最佳，（线圈在上）。
- ☆非电气人员不得拆卸电磁阀电气部件。
- ☆ Should carefully check the valve before installing signs whether on-site data requirements, such as voltage, temperature, medium, pressure, etc.
- ☆ Solenoid valve must be installed in accordance with the state explosion site dangerous place, "Electrical Safety Regulations" in the relevant provisions.
- ☆ Solenoid valve coil must be solid and reliable. Coil with three-hole plug, which on the ground, then work around hole lead.
- ☆ Solenoid valve installed within the pipe should be cleaned before.
- ☆ If the flow of medium with impurity, solenoid valve must be installed before the inlet of the filter density of 0.5 μm.
- ☆ Solenoid valve installed on the arrow when the body demands attention with the same media flow.
- ☆ The level of the best valve installed, (coil on)
- ☆ Non-electrical personnel shall not be demolished solenoid valve electrical components.

七、常见故障诊断及处理： Fault Diagnosis and Treatment

- ☆ **接通电源，电磁阀不正常工作**：a 线圈烧毁或短路——更换线圈，b 电源电压过低——调整电压-10%~+10%范围。c 管道内介质压力不符合工作压力范围——调整压力或更换压力对应的阀
- ☆ **Switch on the power, electromagnetic valve does not work**: a .coil to burn or short circuit ----- replace the coil, b .power supply voltage is too low ----- adjust the voltage of -10% ~ +10%Range. C. medium pressure pipeline does not meet the scope of work pressure --- the pressure to adjust the pressure or the corresponding valve replacement
- ☆ **断开电源，电磁阀不正常工作**：阀芯被杂质卡住，不能复位——由专业人员拆卸、清除、装配。
- ☆ **Disconnect the power valve solenoid valve does not work**: spool is stuck impurities can not reduction -- the professional demolition, removal, assembly
- ☆ **泄漏超标**：a 阀内有杂物——清除杂物，b 密封件损坏或老化——更换密封件，c 选型压力不符合工作压力——更换压力对应的阀。
- ☆ **Excessive leakage**: a valve with debris -- debris removal, b seal damaged or aging --replace seals, c selection pressures do not meet the work pressure ---Pressure corresponding valve replacement



执行标准：Implementation of standards:
JB / T 7352-94 GB 3836.1-2000 GB 3836.2-2000

DCFB 系列防爆电磁阀

DCFBmmonia by electromagnetic valve

使用说明书

Use that book tomorrow



上海永龙阀门厂

Shanghai enterprise valve factory

网址：<http://www.shylfmc.com> 网址：<https://shgnvalve.1688.com/>